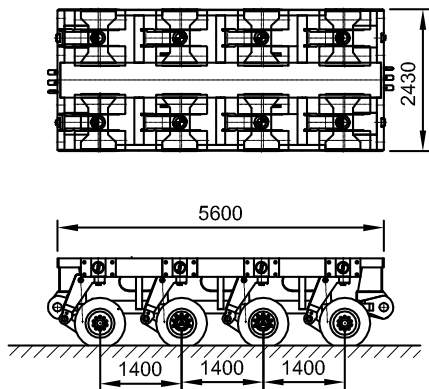
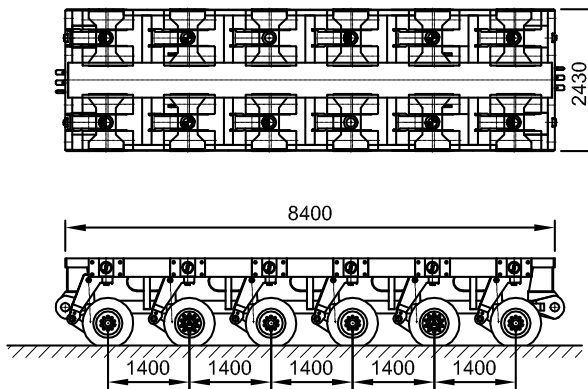


4 Lines

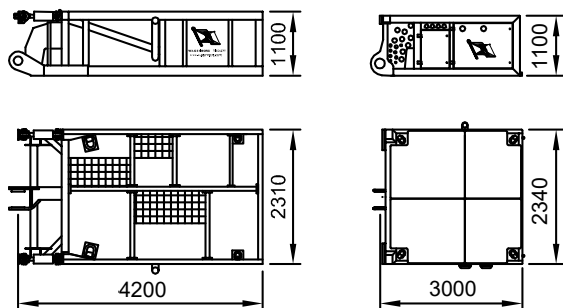


6 Lines

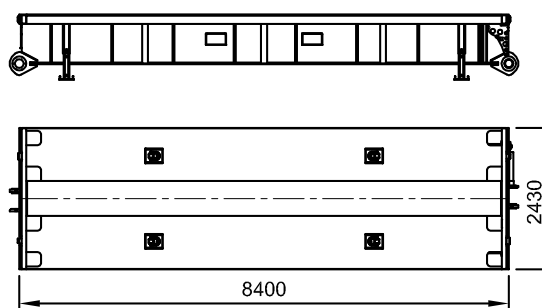


SPMT		
Specifications	4 Axle	6 Axle
Capacity	144 t	216 t
Weight	16 t	24 t
Max Axle load	40 t	40 t

Power Pack Units (PPU)

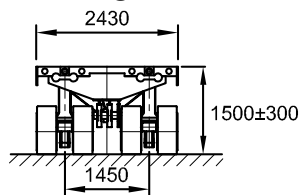


Spacer

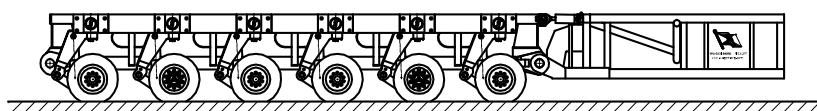
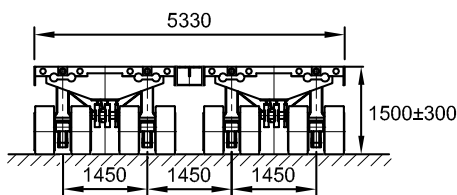


Powerpacks			
	Capacity	Weight	Length
Z350	40 axles	7200 kg	4200 mm
Z180	20 axles	4500 kg	3000 mm

Single

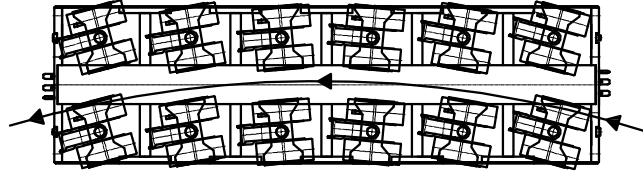


Double

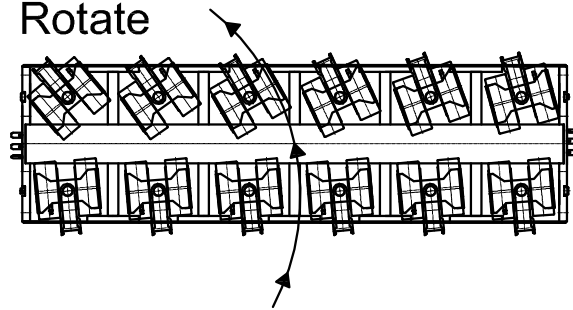


Steering capabilities

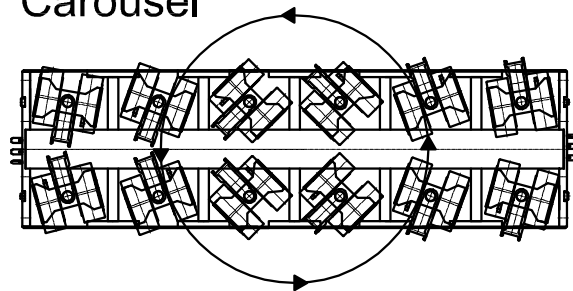
Normal



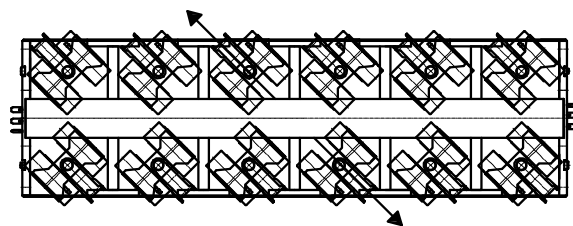
Rotate



Carousel



Crab



Transvers

